



Slot Drain Duo and Mono

Slot Drainage System



Slot Drain Mono



Slot Drain Duo

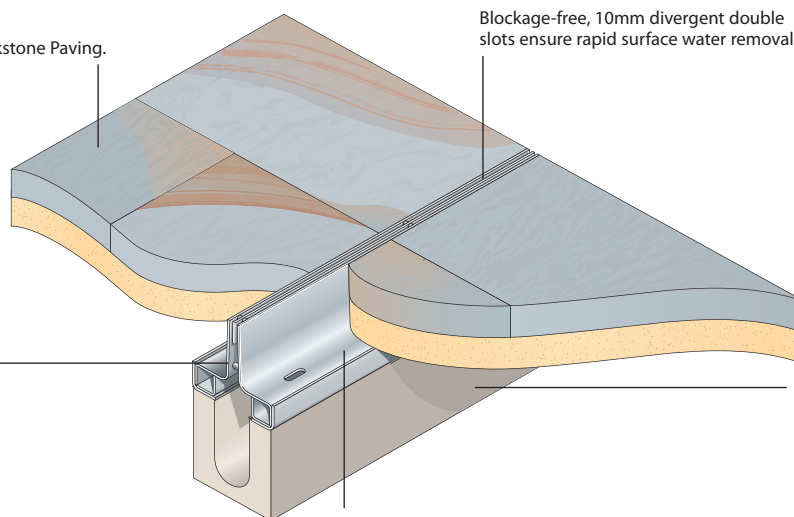
- Discreet linear drainage system.
- Single or double slot entry.
- Constant and inbuilt fall bases available.
- Bespoke solutions available.
- Slot Drain Mono Load Classification C250.
- Slot Drain Duo Load Classification E600.
- Ideally suited for all paved areas where discreet yet efficient drainage is required, from prestigious pedestrian areas to motorway crossovers.
- Fully compatible with Marshalls range of paving materials and with extra care, other surfacing materials such as tarmac or in-situ concrete.

How It Works

- An innovative solution that combines a fabricated, galvanised steel slot drain top to a base channel unit.
- The single entry slot drain seats itself on a Landscape Drain Channel unit.
- The double entry slot drain is positively bolted to a Marshalls Birco 100 Channel unit, ensuring a tamper proof and secure system.
- Access units allow for maintenance of the channel system.
- Bespoke solutions can be manufactured including alternative depth of top units, use of stainless steel and increased width, i.e. 150 or 200mm enabling solutions to suit your project demands.

Illustration shows Slot Drain with Yorkstone Paving.
 For construction details refer to the
 Drainage Design Guide

Discreet slots, Slot Drain Top
 Units available in a range
 of depths to accommodate
 pavement construction

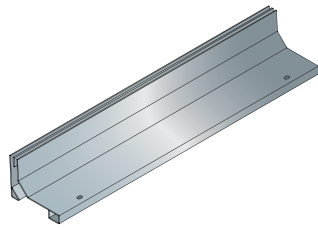


Heavy traffic, Loading Classification
 E600 as defined by BS EN 1433:2002

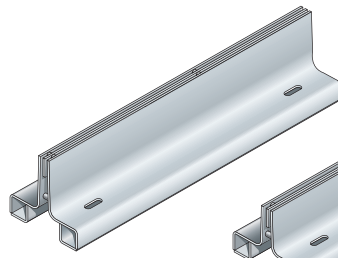
Slot Drain Duo Components

Slot Drainage System

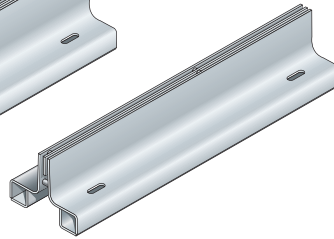
TOP COMPONENTS



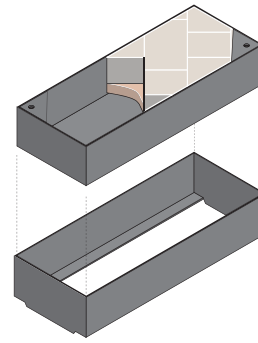
Offset Slot Drain 105



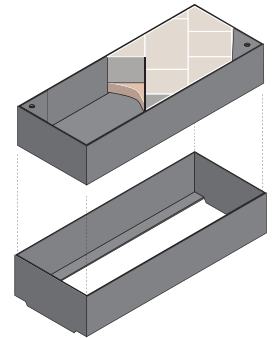
Slot Drain 105



Slot Drain 90



Access Cover and Frame 105



Access Cover and Frame 90

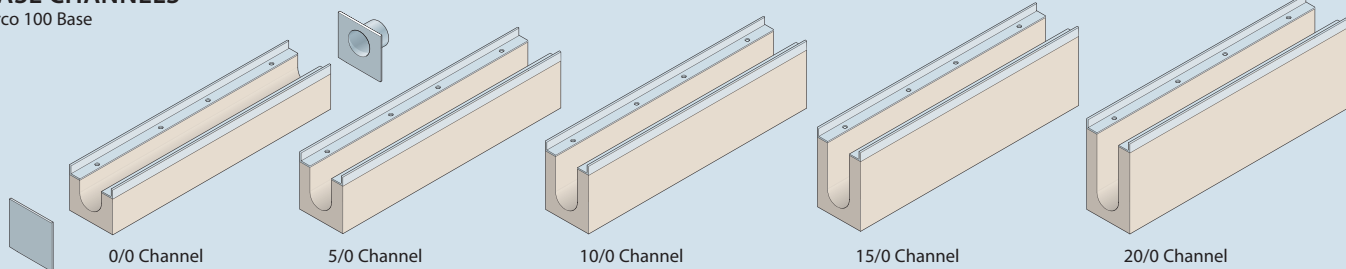
BASE COMPONENTS

Base Channels are available in 1000mm or 500mm lengths

BASE CHANNELS

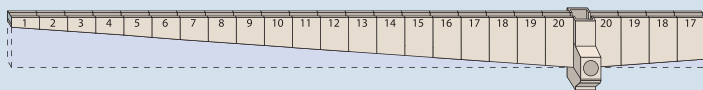
Birco 100 Base

Cap Outlet



100 End Cap

INBUILT FALL



Slot Drain Channels are available with inbuilt falls. Inbuilt Fall Channels increase drainage discharge capacity by improving flow rates and thereby increasing the overall discharge capacity of the system. Inbuilt fall channels are 1000mm long.

OUTFALLS

INLINE SIDE OUTLET OUTFALL

- A 2 section concrete trapped outfall, with galvanised steel inlaid access cover and frame.
- Side outlet for 150mm diameter pipework with universal seal.
- Cut-out panels in the silt box allow Slot Drain runs from both sides.

Note: Slot Drain Access Cover and Frame available separately.

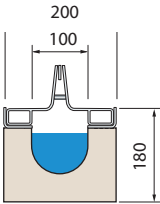
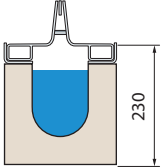
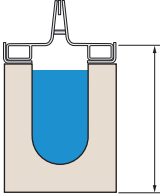
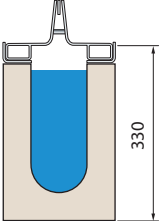
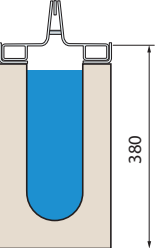
INLINE END OUTLET OUTFALL

- A 2 section concrete trapped outfall, silt box with galvanised steel inlaid access cover and frame
- End outlet for 100mm diameter pipework with universal seal.
- Cut-out panel to allow Slot Drain run from one side only.

Note: Slot Drain Access Cover and Frame available separately.

FLOW CAPACITY (litres/sec)

More comprehensive hydraulic properties are given in the Drainage Design Guide

	Slot Drain with Birco 100 0/0 Channel Unit	Slot Drain with Birco 100 5/0 Channel Unit	Slot Drain with Birco 100 10/0 Channel Unit	Slot Drain with Birco 100 15/0 Channel Unit	Slot Drain with Birco 100 20/0 Channel Unit
					
	Equivalent Pipe Diameter (mm) 120	Equivalent Pipe Diameter (mm) 145	Equivalent Pipe Diameter (mm) 160	Equivalent Pipe Diameter (mm) 175	Equivalent Pipe Diameter (mm) 190
Gradient (1 in)					
30	16	26	37	48	59
50	12	20	29	37	46
75	10	17	23	30	37
100	9	14	20	26	32
150	7	12	16	21	26
200	6	10	14	18	23
500	4	6	9	12	14
750	3	5	7	9	12
1000	3	4	6	8	10

Note: 1. Flow figures, l/s, are derived from Colebrook-White equation.

Slot Drain Duo

Component Codes

TOP UNITS			
Slot Drain 90		Weight (kg)	Item Code
Top	Slot Drain 90 Top 1000mm Long	17	DR4955400
	Slot Drain 90 Top 500mm Long	8.5	DR4955300
	Slot Drain 90 Access Cover 500mm Long	12	DR4955050

TOP UNITS			
Slot Drain 105		Weight (kg)	Item Code
Top	Slot Drain 105 Top 1000mm Long	18	DR4956400
	Slot Drain 105 Top 500mm Long	9	DR4956300
	Slot Drain 105 Access Cover 500mm Long	14	DR4956050

TOP UNITS			
Ancillaries		Weight (kg)	Item Code
	100 Outfall 100mm End	105.3	DR1301700
	100 Outfall 150mm Side	142	DR1301750
	100 End Cap 0/0	1	DR1251500
	100 End Cap 5/0	1.2	DR1251550
	100 End Cap 10/0	1.4	DR1251600
	100 End Cap 15/0	1.6	DR1251650
	100 End Cap 20/0	1.8	DR1251700
	100 Cap Outlet 0/0	1	DR1251750
	100 Cap Outlet 5/0	1.2	DR1251800
	100 Cap Outlet 10/0	1.4	DR1251850
	100 Cap Outlet 15/0	1.6	DR1251900
	100 Cap Outlet 20/0	1.8	DR1251950

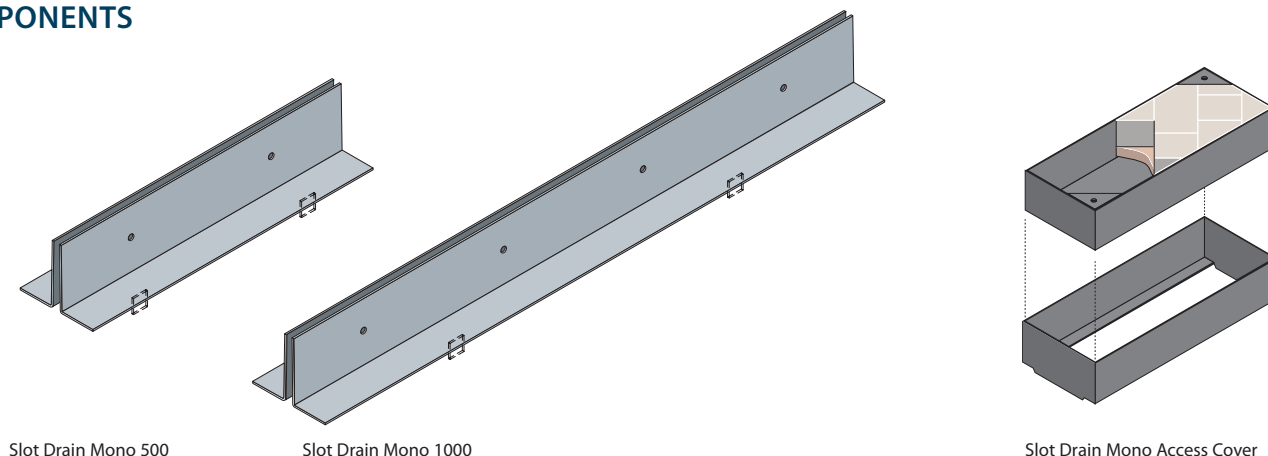
BASE UNITS			
Base Channels		Weight (kg)	Item Code
	100 Channel 0/0 1000mm	54	DR0801050
	100 Channel 5/0 1000mm	66	DR0801150
	100 Channel 10/0 1000mm	76	DR0801250
	100 Channel 15/0 1000mm	86	DR0801350
	100 Channel 20/0 1000mm	102	DR0801450
	100 Channel 0/0 500mm	28	DR0901500
	100 Channel 5/0 500mm	33	DR0901600
	100 Channel 10/0 500mm	39	DR0901700
	100 Channel 15/0 500mm	43	DR0901800
	100 Channel 20/0 500mm	51	DR0901900
Inbuilt Fall Channels	100 IBF Channel No. 1	57	DR1000100
	100 IBF Channel No. 2	57.5	DR1000200
	100 IBF Channel No. 3	61	DR1000300
	100 IBF Channel No. 4	62.5	DR1000400
	100 IBF Channel No. 5	65	DR1000500
	100 IBF Channel No. 6	67	DR1000600
	100 IBF Channel No. 7	69	DR1000700
	100 IBF Channel No. 8	71	DR1000800
	100 IBF Channel No. 9	73	DR1000900
	100 IBF Channel No. 10	77	DR1001000
	100 IBF Channel No. 11	77	DR1001100
	100 IBF Channel No. 12	81.5	DR1001200
	100 IBF Channel No. 13	81	DR1001300
	100 IBF Channel No. 14	86.5	DR1001400
	100 IBF Channel No. 15	85	DR1001500
	100 IBF Channel No. 16	91	DR1001600
	100 IBF Channel No. 17	93.5	DR1001700
	100 IBF Channel No. 18	96	DR1001800
	100 IBF Channel No. 19	98.5	DR1001900
	100 IBF Channel No. 20	101	DR1002000

Items available ex-stock.

Slot Drain Mono Components

Slot Drainage System

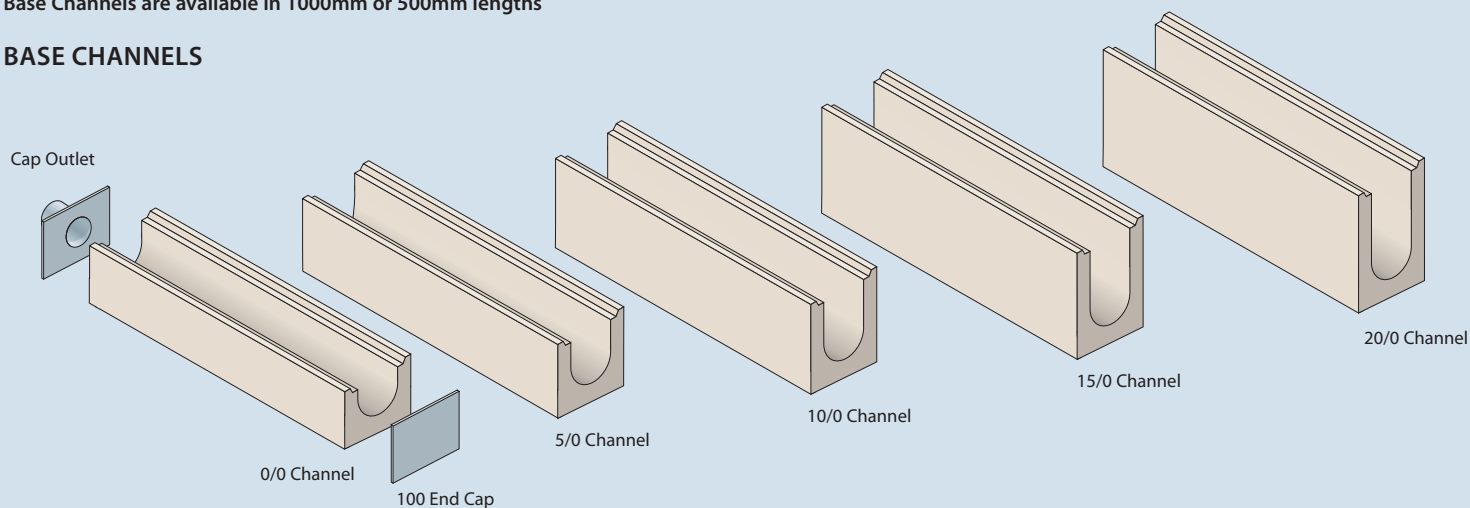
TOP COMPONENTS



BASE COMPONENTS

Base Channels are available in 1000mm or 500mm lengths

BASE CHANNELS



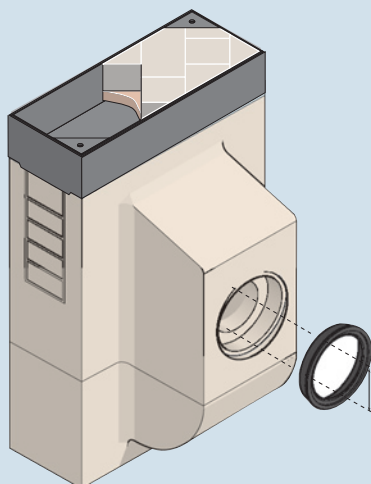
OUTFALLS

INLINE SIDE OUTLET OUTFALL

(supplied in two sections with universal-fit seal and stopper included)

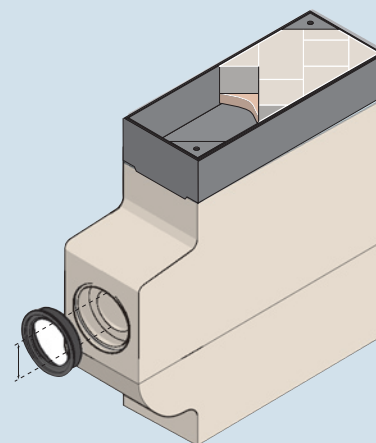
- A 2 section concrete trapped outfall, silt box with galvanised steel inlaid access cover and frame.
- Side outlet for 150mm diameter pipework with universal seal.
- Cut-out panels in the silt box allow slot drain runs from both sides.

Note: Slot Drain Access Cover and Frame available separately.



- A 2 section concrete outfall unit trapped outfall, silt box with access cover and frames available separately.
- Outlet suitable for a 100mm diameter outlet pipe with universal seal.
- Cut-out panel to allow slot drain run from one side only.

Note: Slot Drain Access Cover and Frame available separately.



INLINE END OUTFALL OUTFALL

(supplied in two sections with universal-fit seal and stopper included)

FLOW CAPACITY (litres/sec)

More comprehensive hydraulic properties are given in the Drainage Design Guide

	Slot Drain with Landscape Channel, 0/0 Channel Unit	Slot Drain with Landscape Channel, 5/0 Channel Unit	Slot Drain with Landscape Channel, 10/0 Channel Unit	Slot Drain with Landscape Channel, 15/0 Channel Unit	Slot Drain with Landscape Channel, 20/0 Channel Unit
	Equivalent Pipe Diameter (mm) 120	Equivalent Pipe Diameter (mm) 145	Equivalent Pipe Diameter (mm) 160	Equivalent Pipe Diameter (mm) 175	Equivalent Pipe Diameter (mm) 190
Gradient (1 in)					
30	16	26	37	48	59
50	12	20	29	37	46
75	10	17	23	30	37
100	9	14	20	26	32
150	7	12	16	21	26
200	6	10	14	18	23
500	4	6	9	12	14
750	3	5	7	9	12
1000	3	4	6	8	10

Note: 1. Flow figures, l/s, are derived from Colebrook-White equation.

Slot Drain Mono

Component Codes

TOP COMPONENTS			
Top Units	Weight (kg)	Item Code	
Slot Drain Mono 1000mm Top Unit	6	DR4958200	
Slot Drain Mono 500mm Top Unit	3	DR4958100	

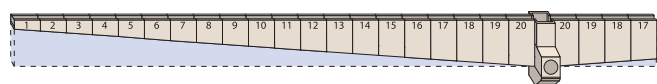
TOP COMPONENTS			
Access Cover	Weight (kg)	Item Code	
Slot Drain Access Cover & Frame	10	DR4958000	

BASE COMPONENTS			
Base Channels	Weight (kg)	Item Code	
Channel 0/0 1000mm	52	DR3206100	
Channel 5/0 1000mm	64	DR3206200	
Channel 10/0 1000mm	76	DR3206300	
Channel 15/0 1000mm	88	DR3206400	
Channel 20/0 1000mm	100	DR3206500	
IBF Channel No. 1	53	DR3300100	
IBF Channel No. 2	55.5	DR3300200	
IBF Channel No. 3	58	DR3300300	
IBF Channel No. 4	60.5	DR3300400	
IBF Channel No. 5	63	DR3300500	
IBF Channel No. 6	65	DR3300600	
IBF Channel No. 7	67.5	DR3300700	
IBF Channel No. 8	70	DR3300800	
IBF Channel No. 9	72.5	DR3300900	
IBF Channel No. 10	75	DR3301000	
IBF Channel No. 11	77	DR3301100	
IBF Channel No. 12	79.5	DR3301200	
IBF Channel No. 13	82	DR3301300	
IBF Channel No. 14	84.5	DR3301400	
IBF Channel No. 15	87	DR3301500	
IBF Channel No. 16	89	DR3301600	
IBF Channel No. 17	91.5	DR3301700	
IBF Channel No. 18	94	DR3301800	
IBF Channel No. 19	96.5	DR3301900	
IBF Channel No. 20	99	DR3302000	

BASE COMPONENTS			
Outfalls	Weight (kg)	Item Code	
Outfall 100mm End	104	DR3556700	
Outfall 150mm Side	142	DR3556750	

BASE COMPONENTS			
Caps	Weight (kg)	Item Code	
100 End Cap 0/0	1.0	DR1251500	
100 End Cap 5/0	1.2	DR1251550	
100 End Cap 10/0	1.4	DR1251600	
100 End Cap 15/0	1.6	DR1251650	
100 End Cap 20/0	1.8	DR1251700	
100 Cap Outlet 0/0	1.0	DR1251750	
100 Cap Outlet 5/0	1.2	DR1251800	
100 Cap Outlet 10/0	1.4	DR1251850	
100 Cap Outlet 15/0	1.6	DR1251900	
100 Cap Outlet 20/0	1.8	DR1251950	

Inbuilt Fall



Slot Drain Channels are available with Inbuilt Falls. Inbuilt Fall Channels increase drainage discharge capacity by improving flow rates and thereby increasing the overall discharge capacity of the system. Inbuilt fall channels are 1000m long.

Items available ex-stock.