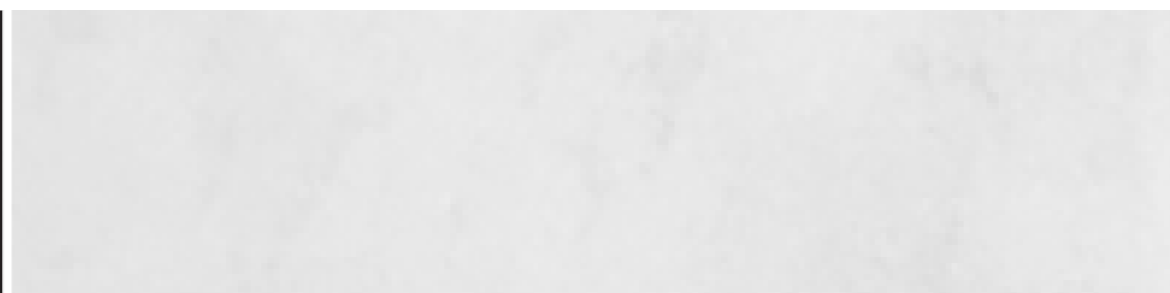


# SPRING COLLECTION



White



Charcoal Grey

The new innovative Spring Collection, designed by architects Ivan Del Ponte and Matteo Zambelli, is a lightweight, elegant and coordinated street furniture solution. Consisting of a stool, seat, bench, table, litter bin and tree grille, the Spring Collection utilises Ultratense® concrete, part of the UHPC family, to achieve a slim line profile suitable for both external and internal application.

**KEY BENEFITS:**

- A choice of 6 coordinating products that can be combined in a variety of configurations to suit any environment
- Innovative slim line and lightweight concrete material, made using the latest technology, allow for form and shape which is unachievable with standard concrete
- Superior material characteristics provide strength without the need for internal reinforcement
- Available in choice to two colours – White or Charcoal Grey
- The aggregates used do not absorb water and are frost-resistant, guaranteeing a product that will not alter over time and, at the same time, preventing mould formation.



## SPRING COLLECTION

### MATERIAL

The product is manufactured in UTC (Ultratense® Concrete), a material belonging to the UHPC class (ultra high performance concrete); a high performance concrete material registered by Bellitalia® and available in two different shades: white or charcoal grey.

### FINISHING

All surfaces are smooth and visible surfaces are covered with a transparent shiny or opaque anti-decay coating, or, upon request, with nanotechnology and/or anti-graffiti products. All edges are rounded or made blunt.

### REINFORCING

No reinforcing

### INSTALLATION

#### Seating & Table:

The bench can be simply placed on the floor, or fastened to the ground through thread bars and a chemical anchor for enhanced stability and security.

#### Litter Bin:

Free standing

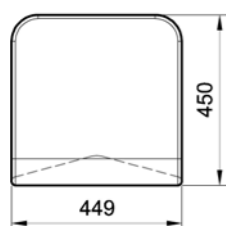
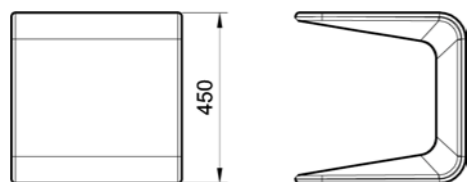
#### Tree Grille:

Place the plant and prepare a leveled bed. Place the frame and fix with lean

### OPTIONS AVAILABLE:

#### SPRING STOOL

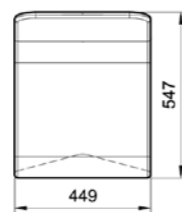
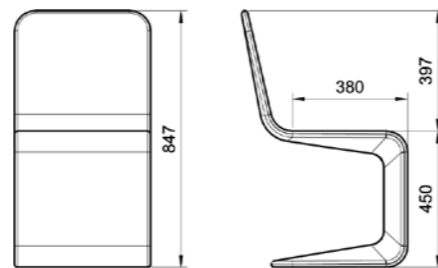
Total weight: 54kg



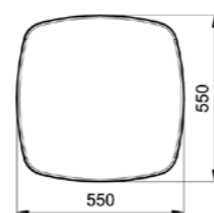
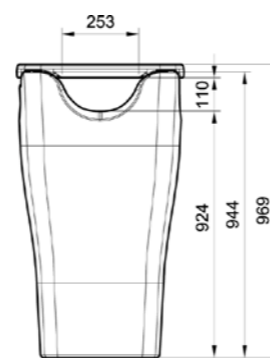
### OPTIONS AVAILABLE:

#### SPRING SEAT

Total weight: 65kg

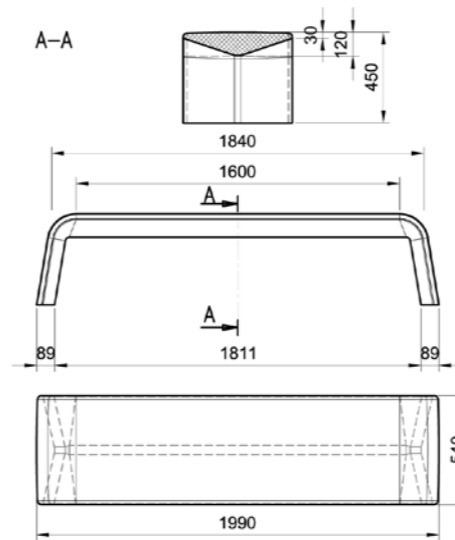


#### SPRING LITTER BIN

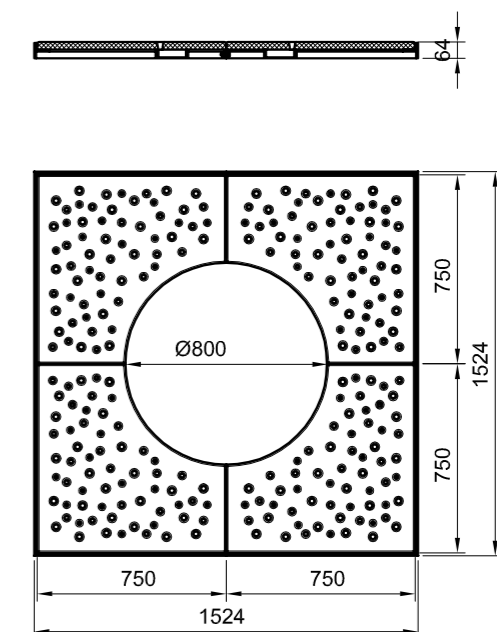
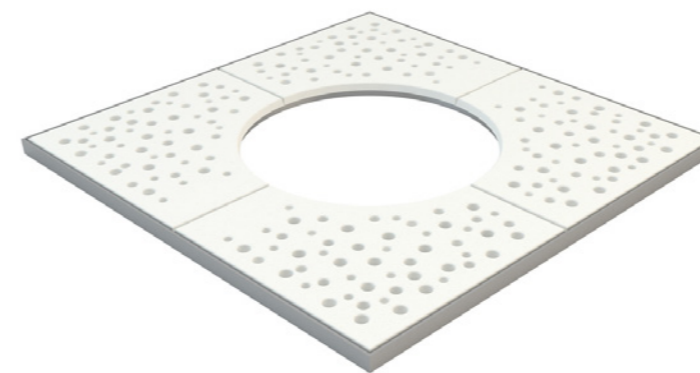


#### SPRING BENCH

Total weight: 230kg

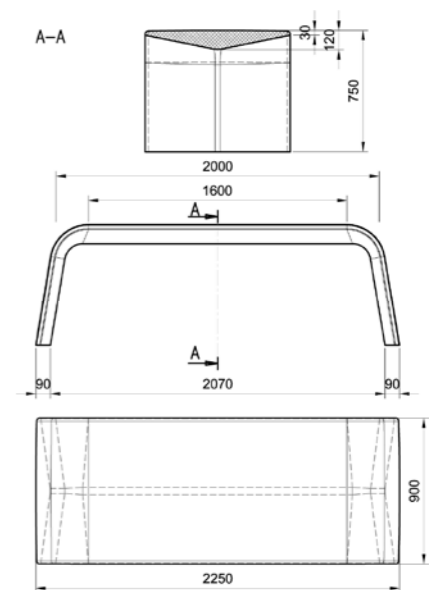


#### SPRING SQUARE TREE GRILLE



#### SPRING TABLE

Total weight: 479kg



### SPRING CIRCLE TREE GRILLE

Total weight: 128kg

